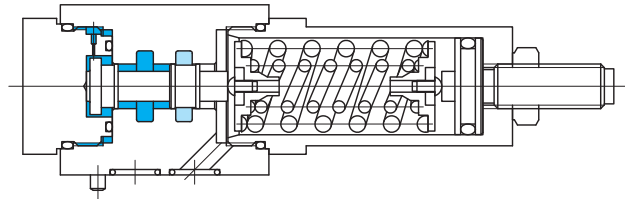
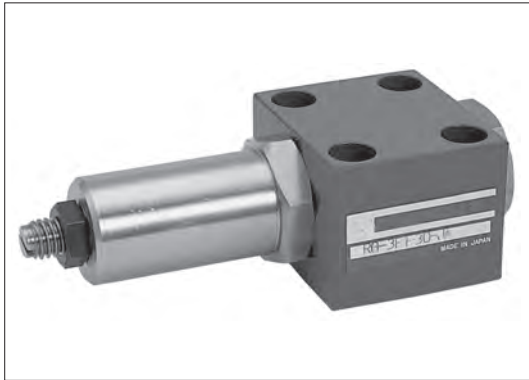


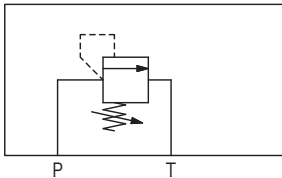
# Flui-trol direct pressure control valves (gasket mounting) RG(2)-3F



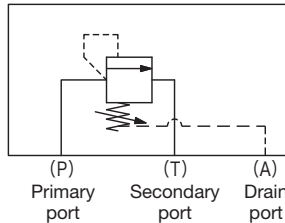
- This is a direct acting type pressure adjustment valve, and depending on the internal or external pilot pressure and drain combinations can be used as sequence, counterbalance, relief, or unload valves.
- Stacked with check valve DM8M-3B, valve can be used as sequence valve, or counterbalance valve.

## Functional Symbols

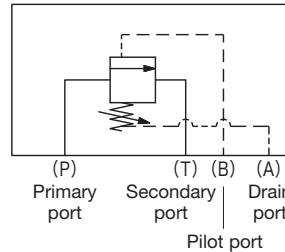
RG-3F(K) 1



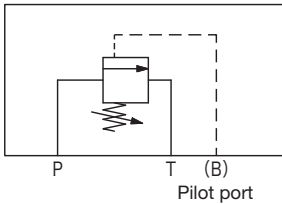
RG-3F(K) 2



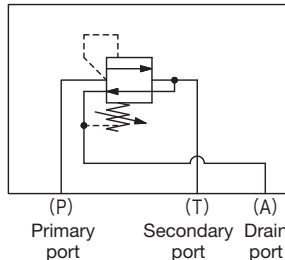
RG-3F(K) 3



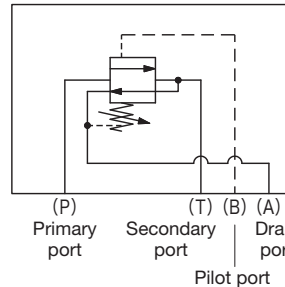
RG-3F(K) 4



RG2-3F(K) 2



RG2-3F(K) 3



## Model Code

(F3)-RG(2)-3F(K) 1-30-JA

1 2 3 4 5 6 7

1 Hydraulic fluid

Omit: mineral oil based fluid, water-glycol based fluid  
F3: phosphate ester fluid

2 Pressure control valve (gasket mounting)

3 Secondary side venting

Omit: no vent  
2: secondary side vent at less than setting pressure

4 Pressure adjustment range

F: 0.35 to 14 MPa

5 Adjuster

Omit: slotted adjustment screw (standard)  
K: knob

6 Valve function

- 1: internal pilot, internal drain (except for RG2)
- 2: internal pilot, external drain
- 3: external pilot, external drain
- 4: external pilot, internal drain (except for RG2)

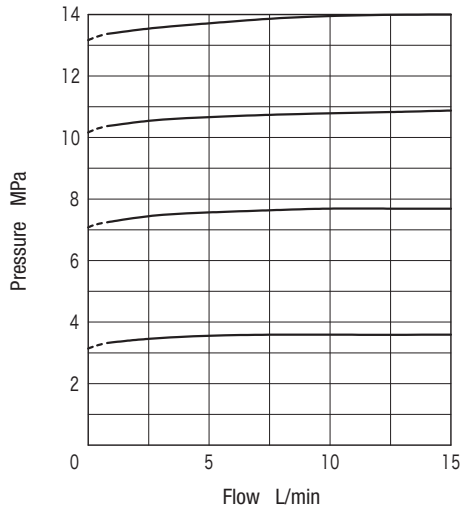
7 Design no.

## Specifications

Model Code	Max. Working Pressure MPa	Rated Flow L/min	Pressure Adjustment Ranges MPa	Weight kg
RG(2)	17.5	11.3	0.35~14	0.7

## Characteristics Curve (at 20 mm<sup>2</sup>/s) (typical examples)

### ● Flow-Pressure Characteristics



### Notes on Operation

- Loosen the lock nut and turn pressure adjustment screw clockwise to increase the setting pressure and counterclockwise to decrease the setting pressure.

## Mounting Bolts (JIS B 1176, Strength Class 12.9)

Hex Socket Bolts		Qty
Metric Thread	Unified Thread	
M6×40	1/4-20UNC×38.1	4

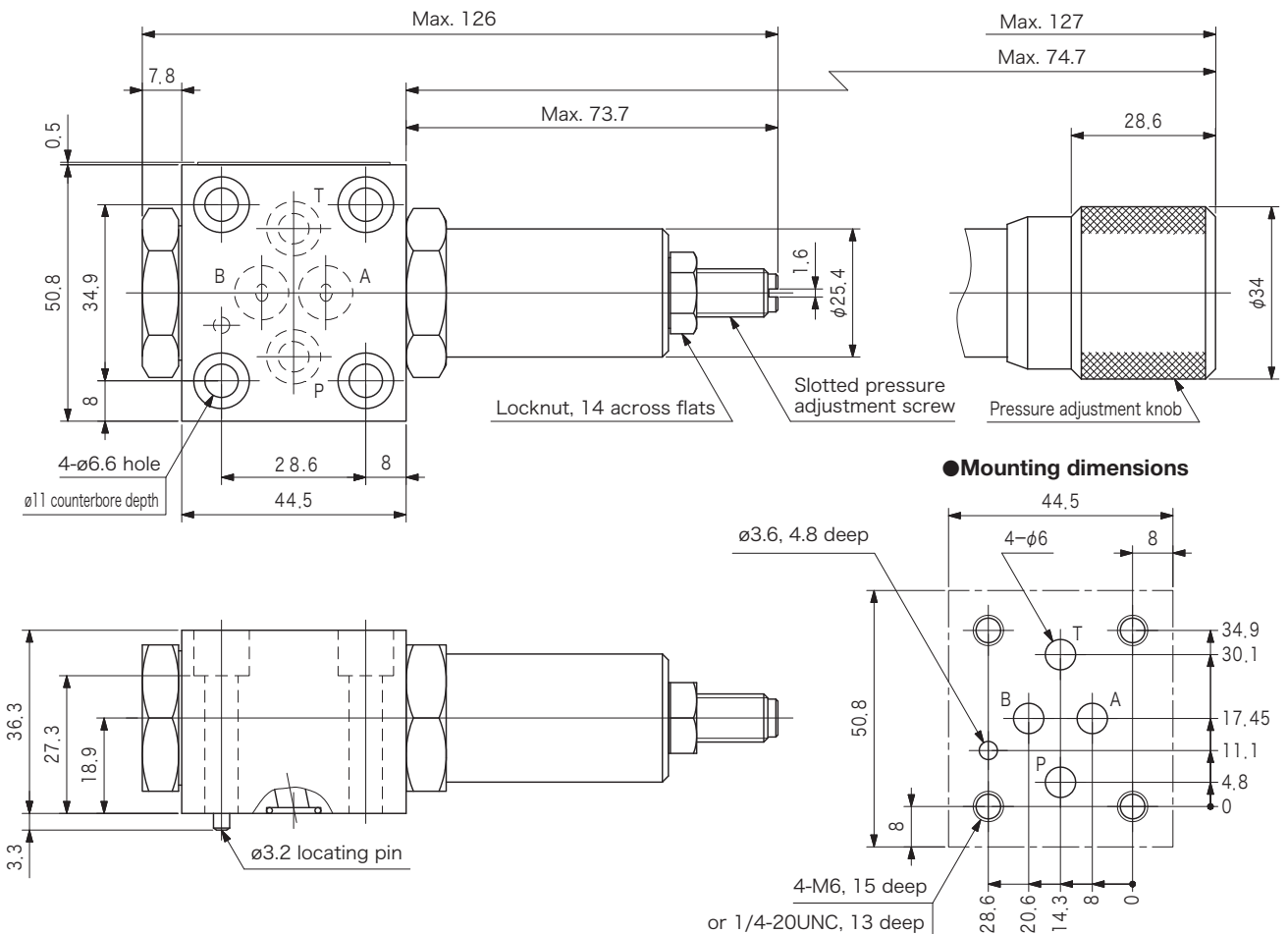
- Mounting bolts must be ordered separately.
- Tightening torque of mounting bolts: 8 to 10 N·m

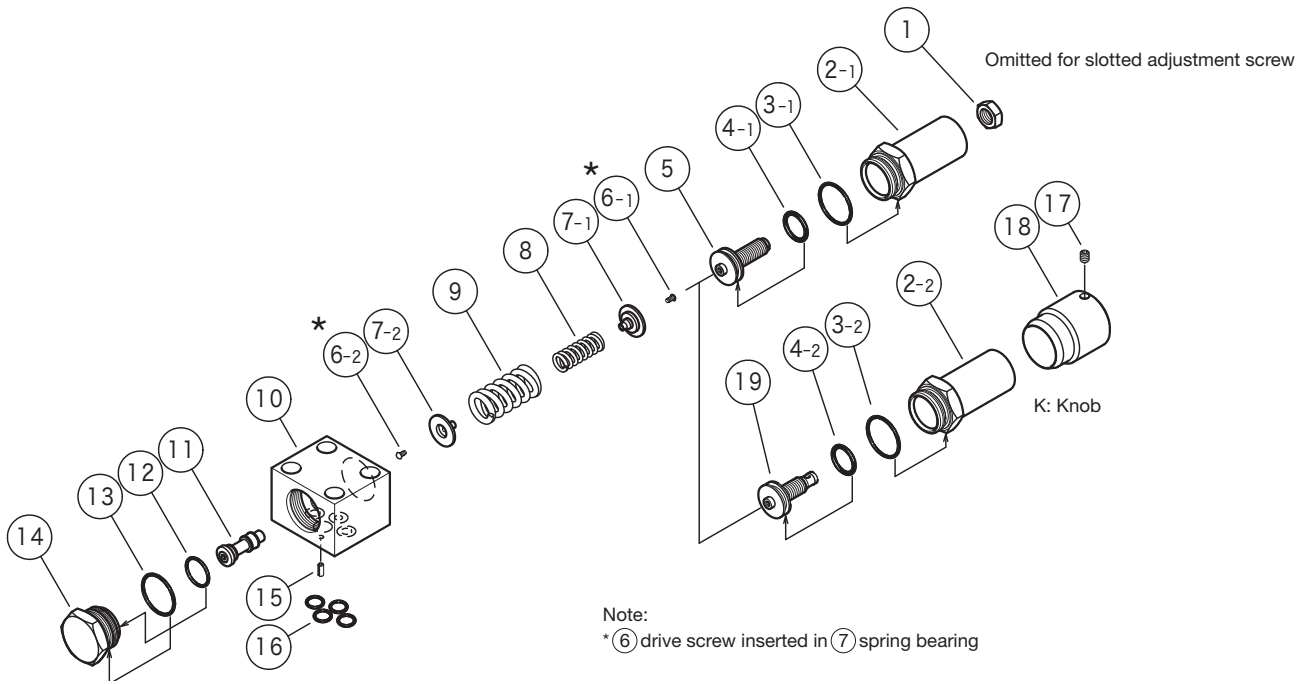
## Subplate

Connection Port Orientation	Mounting Bolts	Subplate	Connection Port Diameter Rc
Bottom Piping	M6	DGM-02-JA-20-R-J	1/4
		DGM-03-JA-20-R-J	3/8
	1/4-20UNC	DGM-02-JA-20-B-J	1/4
		DGM-03-JA-20-B-J	3/8
Side Piping	M6	DGME-02-JA-20-R-J	1/4
		DGME-03-JA-20-R-J	3/8
	1/4-20UNC	DGME-02-JA-20-B-J	1/4
		DGME-03-JA-20-B-J	3/8

- Subplate must be ordered separately.
- Mounting bolts are not included.
- See page R6-6 for dimensions.

## Dimensions





O-ring

No.	Part No.	Standard	Qty
3	007902119	AS568-021 (NBR, Hs90)	1
4	007911417	AS568-114 (NBR, Hs70)	1
12	007901617	AS568-016 (NBR, Hs70)	1
13	007902119	AS568-021 (NBR, Hs90)	1
16	007901117	AS568-011 (NBR, Hs70)	4