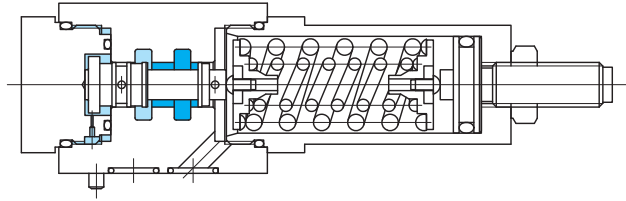


# Flui-trol direct pressure reducing valves (gasket mounting) XG1

C  
12-1

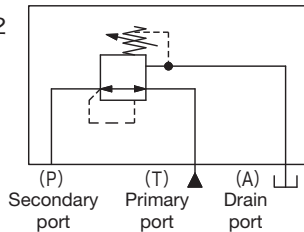
Pressure Control Valves



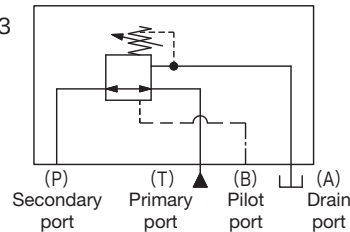
- Valve is used for branch circuits which operate at pressure lower than main circuit pressure.
- Reduced pressure in secondary is maintained at fixed pressure regardless of pressure fluctuations in the main (primary) circuit.
- Stacked with modular check valve DM8M-3A, valve can be used as reducing valve with check valve.

## Functional Symbols

XG1-3F(K)2



XG1-3F(K)3



## Model Code

(F3)-XG1-3F(K)2-30-JA-(S1)

1 2 3 4 5 6 7

1 Hydraulic fluid

Omit: mineral oil based fluid, water-glycol based fluid  
F3: phosphate ester fluid

2 Direct pressure reducing valve (gasket mounting)

3 Pressure adjustment range

Refer to "Specifications".

4 Adjuster

Omit: slotted adjustment screw (standard)  
K: knob

5 Pilot

2: internal pilot  
3: external pilot

6 Design no.

7 Special feature

S1: pressure adjustment ranges, 0.1 - 1 MPa  
(max. flow 3 L/min)

## Specifications

Model Code	Max. Working Pressure MPa	Maximum Flow L/min	Pressure Adjustment Ranges MPa	Weight kg
XG1	17.5	11.3	0.35~14	0.7

## Notes on Operation

- Loosen the lock nut and turn pressure adjustment screw clockwise to increase the setting pressure and counterclockwise to decrease the setting pressure.

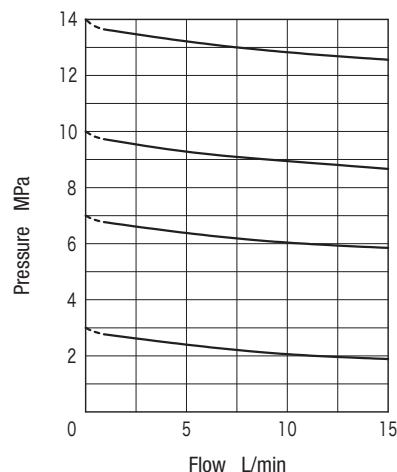
## Mounting Bolts (JIS B 1176, Strength Class 12.9)

Hex Socket Bolts		Qty
Metric Thread	Unified Thread	
M6×40	1/4-20UNC×38.1	4

- Mounting bolts must be ordered separately.
- Tightening torque of mounting bolts: 8 to 10 N·m

## Characteristics Curve (at 20 mm<sup>2</sup>/s) (typical examples)

### ● Flow-Pressure Characteristics

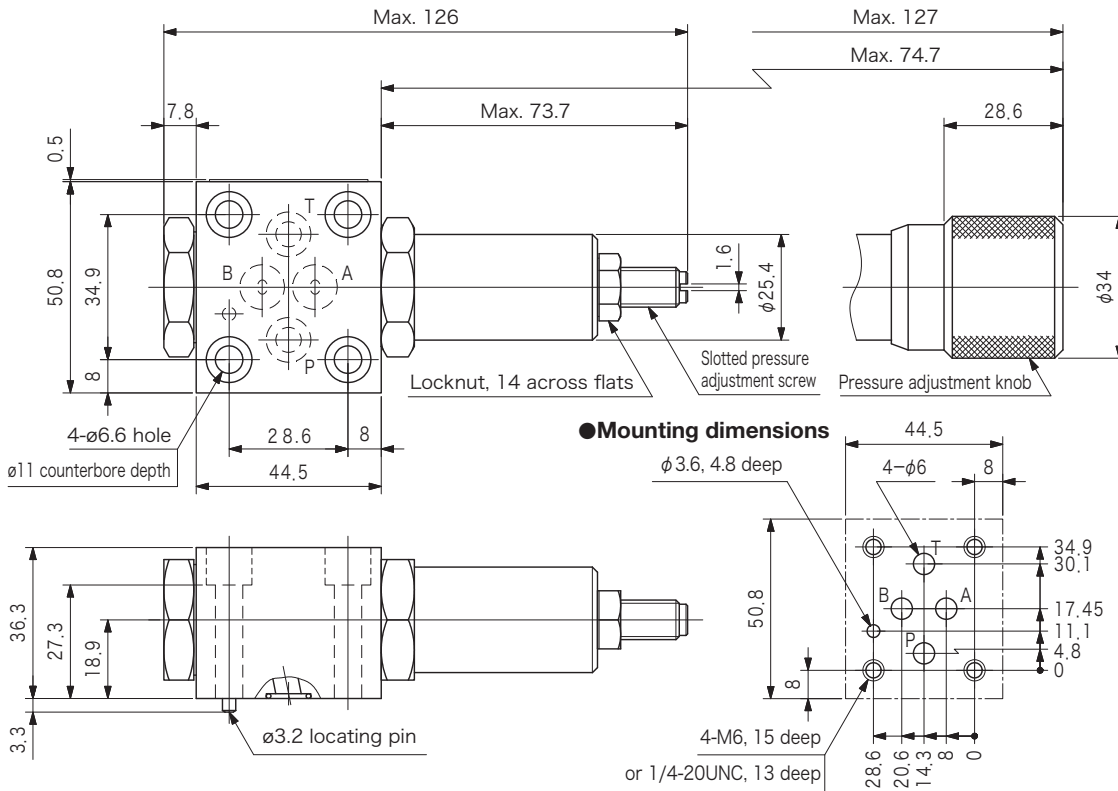


## Subplate

Connection Port Orientation	Mounting Bolts	Subplate	Connection Port Diameter Rc
Bottom Piping	M6	DGM-02-JA-20-R-J	1/4
		DGM-03-JA-20-R-J	3/8
	1/4-20UNC	DGM-02-JA-20-B-J	1/4
		DGM-03-JA-20-B-J	3/8
Side Piping	M6	DGME-02-JA-20-R-J	1/4
		DGME-03-JA-20-R-J	3/8
	1/4-20UNC	DGME-02-JA-20-B-J	1/4
		DGME-03-JA-20-B-J	3/8

- Subplate must be ordered separately.
- Mounting bolts are not included.
- See page R6-6 for dimensions.

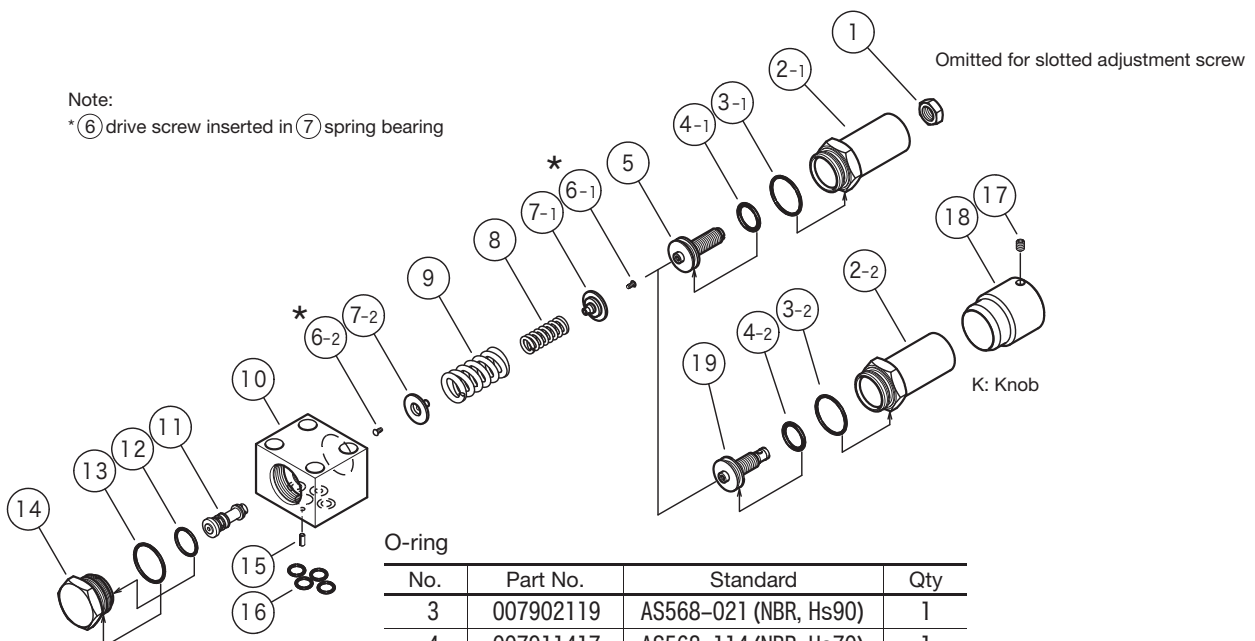
## Dimensions



## Construction

Note:

\* (6) drive screw inserted in (7) spring bearing



### O-ring

No.	Part No.	Standard	Qty
3	007902119	AS568-021 (NBR, Hs90)	1
4	007911417	AS568-114 (NBR, Hs70)	1
12	007901617	AS568-016 (NBR, Hs70)	1
13	007902119	AS568-021 (NBR, Hs90)	1
16	007901117	AS568-011 (NBR, Hs70)	4