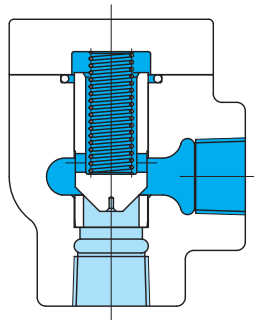


Angle type check valves (threaded connection) C2



- Angle check valve allows maintenance without removing piping.

Functional Symbol



Model Code

(F3)-C2-805-(S3)-JA-(S26)-J

1

2

3

4

5

1 Hydraulic fluid

Omit: mineral oil based fluid, water-glycol based fluid
F3: phosphate ester

2 Angle type check valves (threaded connection)

3 Size

Refer to "Specifications".

4 Cracking pressure

Refer to "Specifications".

5 Special feature

S26: pilot operated type
S12: bypass orifice

Specifications

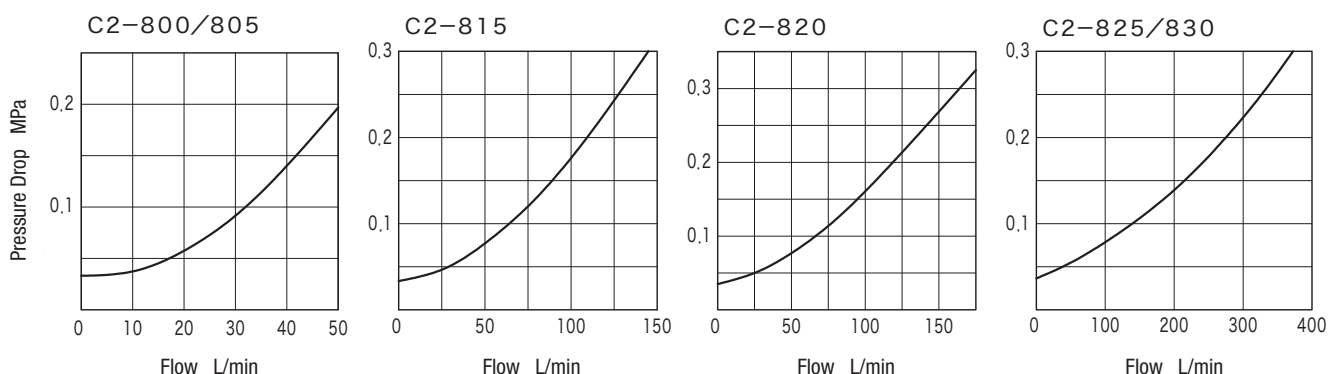
Model Code	Size	Max. Working Pressure MPa	Rated Flow L/min	Weight kg
C2-800	02	21	20	1.5
C2-805	03		40	1.5
C2-815	06		80	2.5
C2-820	08		125	3.5
C2-825	10		250	4.5
C2-830	12		315	4.5

Code	Omitted, S12	S20	S19	S2	S3	S8	S17	S34	S22
Cracking Pressure MPa	0.035	0.004	0.14	0.25	0.35	0.53	0.88	1.05	No spring

Note: Some cracking pressures may not be applicable for certain sizes. See F3-3 Spring Table.

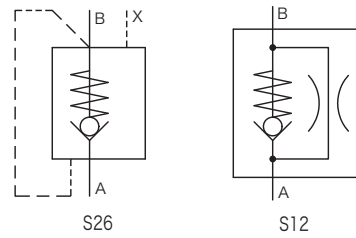
Characteristics Curve (at 20 mm²/s) (typical examples)

Pressure Drop Characteristics (cracking pressure 0.035 MPa)



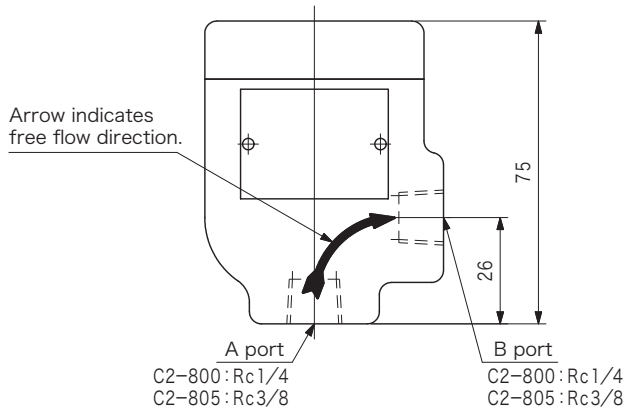
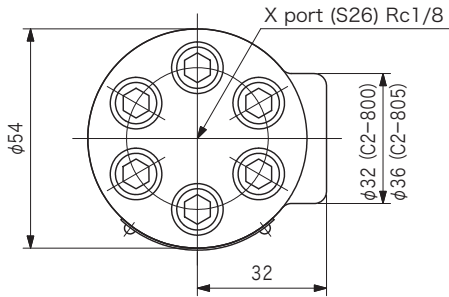
Notes on Operation

- Mount S22 (no spring) type so A port is at bottom (free flow inlet).
- With S26 (pilot operated) type, pilot pressure is applied to close valve. Be careful as pilot pressure will leak to B port.
- With S12 (with bypass orifice) type, orifice is incorporated in the poppet. Orifice size for C2-800 and C2-805 is $\phi 1.0$ and for others, $\phi 1.2$.

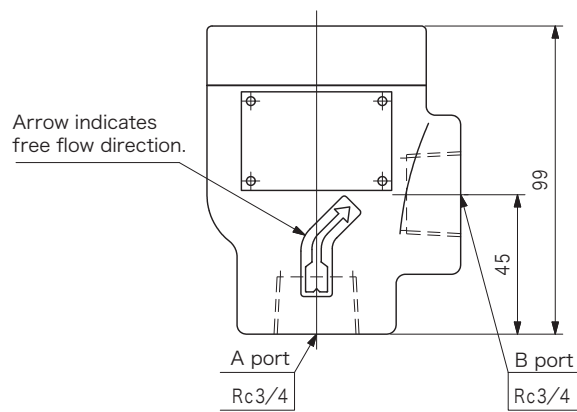
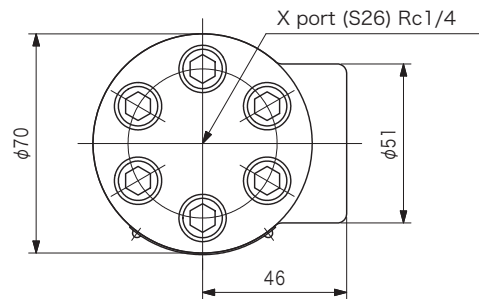


Dimensions

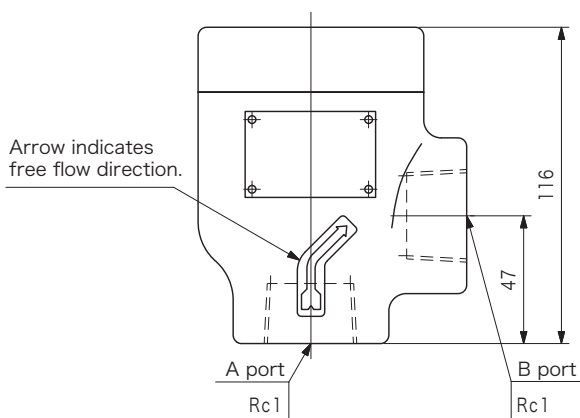
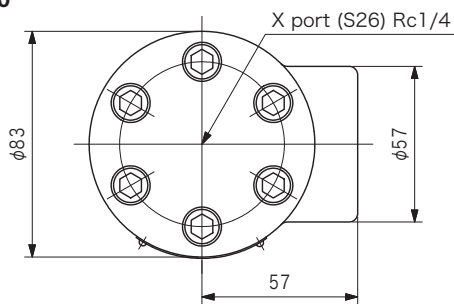
C2-800, C2-805



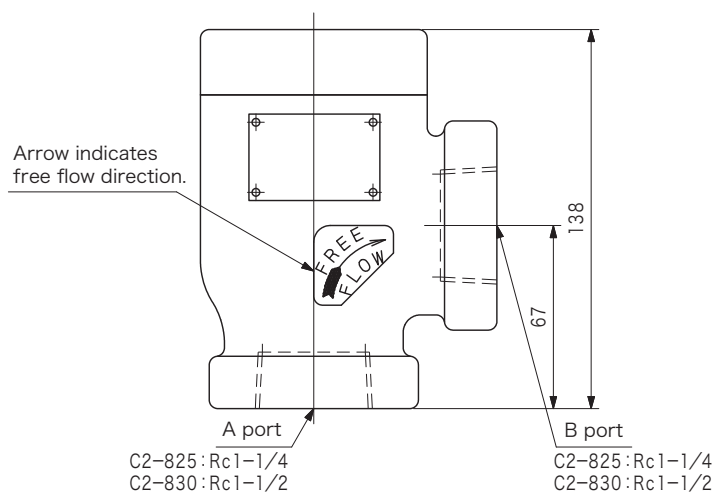
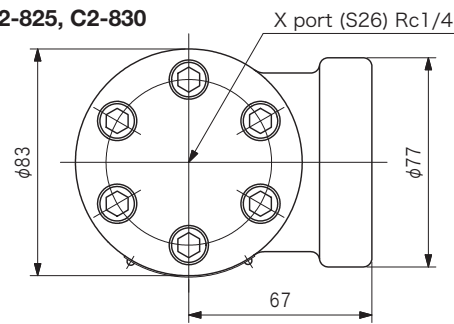
C2-815

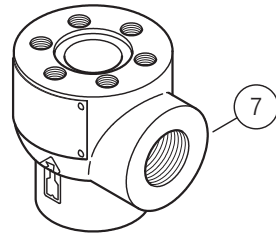
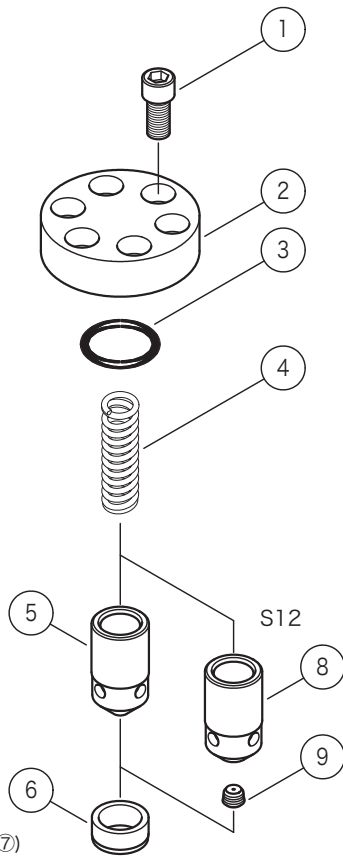


C2-820



C2-825, C2-830





④ Spring

C2-800/805

Code	Part No.
Omitted	VP2978
S3	VP35298
S8	VP55233
S12	VP2978
S17	VP112407
S19	VA4906
S20	VP140804

C2-820

Code	Part No.
Omitted	VP2990
S3	VP19767
S8	VA3284
S12	VP2990
S17	VA27400
S19	VA20100
S20	VA25993

C2-815

Code	Part No.
Omitted	VP2943
S2	VA10075
S3	VP25896
S8	VP32999
S12	VP2943
S17	VP84235
S19	VP2287
S20	VA10102
S34	VA10716

C2-825/830

Code	Part No.
Omitted	VP2284
S2	VP2953
S3	VP29059
S8	VP39778
S12	VP2284
S17	VA13278
S19	VP106669
S20	VP2950
S34	VA10008

③ O-ring

Model Code	Part No.	Standard	Qty
C2-800/805	007901919	AS568-019 (NBR, Hs90)	1
C2-815	007921619	AS568-216 (NBR, Hs90)	1
C2-820	007922219	AS568-222 (NBR, Hs90)	1
C2-825/830	007922319	AS568-223 (NBR, Hs90)	1