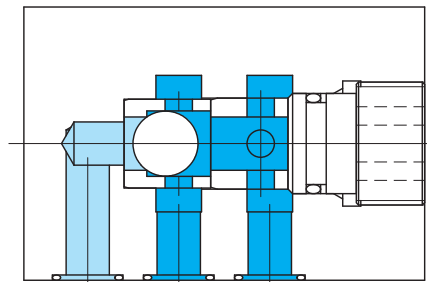
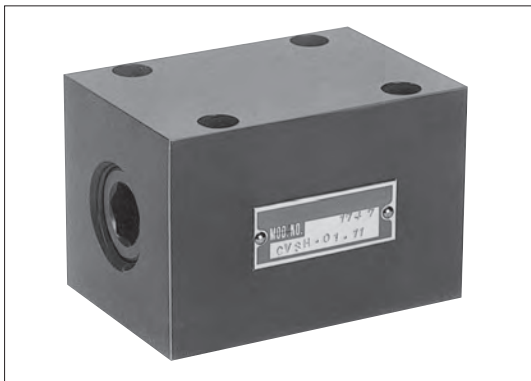
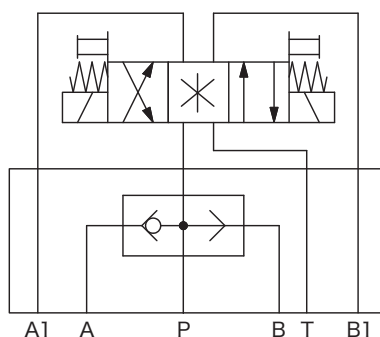
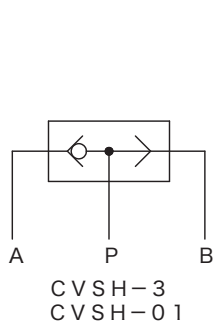


Shuttle valves CVSH



Functional Symbols



- Pressure from the higher of A port or B port will be directed to P port.
- Used if constant pilot pressure must be maintained.

Model Code

CVSH-3-10

1 2 3

1 Shuttle valves

2 Size

3: 1/4

01: 3/8

MD: 1/4 (solenoid valve stack module)

3 Design no.

Mounting Bolts (JIS B 1176, Strength Class 12.9)

Valve Model	Hex Socket Bolts	Qty
CVSH-3	M5 × 50	4
CVSH-01	M6 × 60	4

- Mounting bolts must be ordered separately.
- Mounting bolt tightening torque
CVSH-3: 7~8 N·m
CVSH-01: 12~15 N·m

Specifications

Model Code	Max. Working Pressure MPa	Rated Flow L/min	Weight kg
CVSH-3-10	21	10	0.8
CVSH-01-11	21	50	2.1
CVSH-MD-11	21	10	1.5

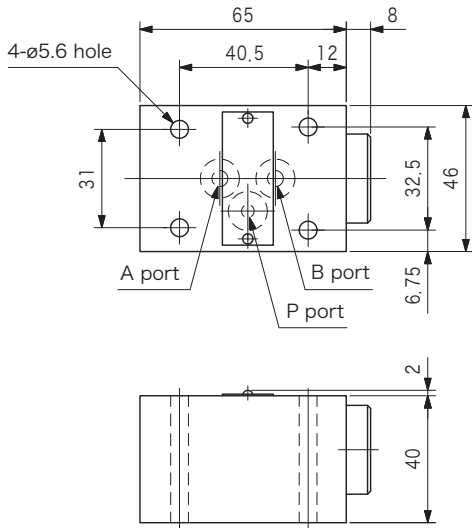
Subplate

Valve Model	Subplate		Connection Port Diameter Rc
CVSH-3	Side Piping	DGMS-3-1E-10-T-JA-J	3/8
	Bottom Piping	DGVM-3-10-T-JA-J	

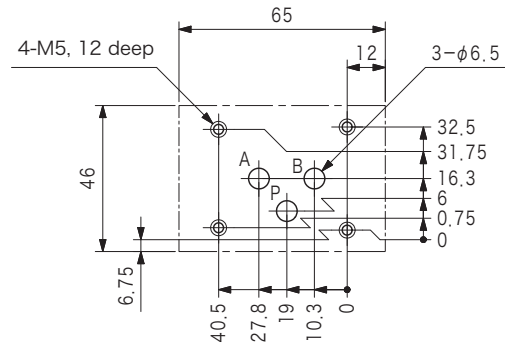
- Subplate must be ordered separately.
- See page R6-6 for dimensions.

Dimensions

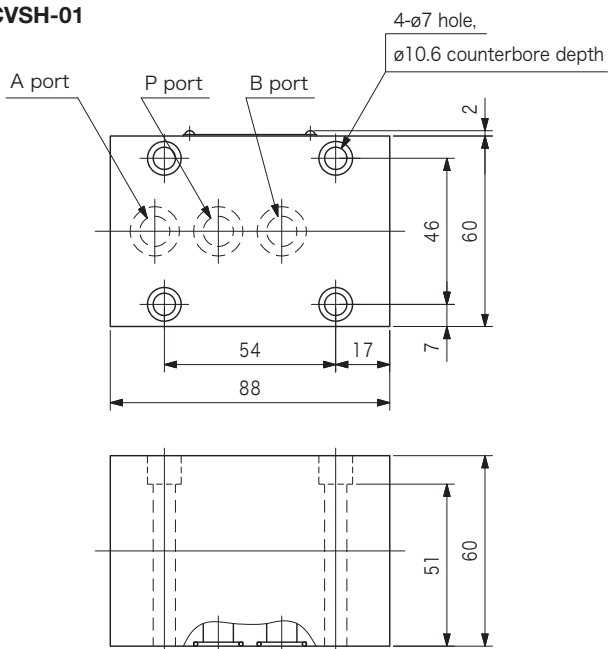
CVSH-3



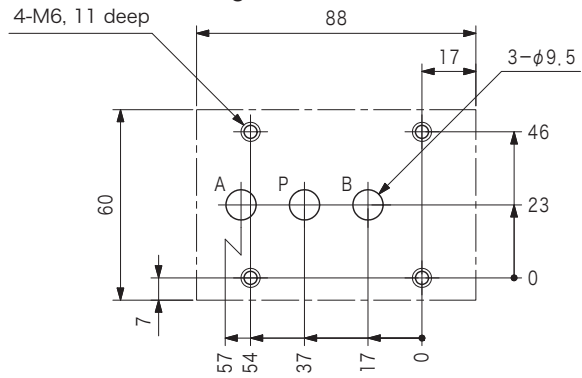
●Mounting dimensions



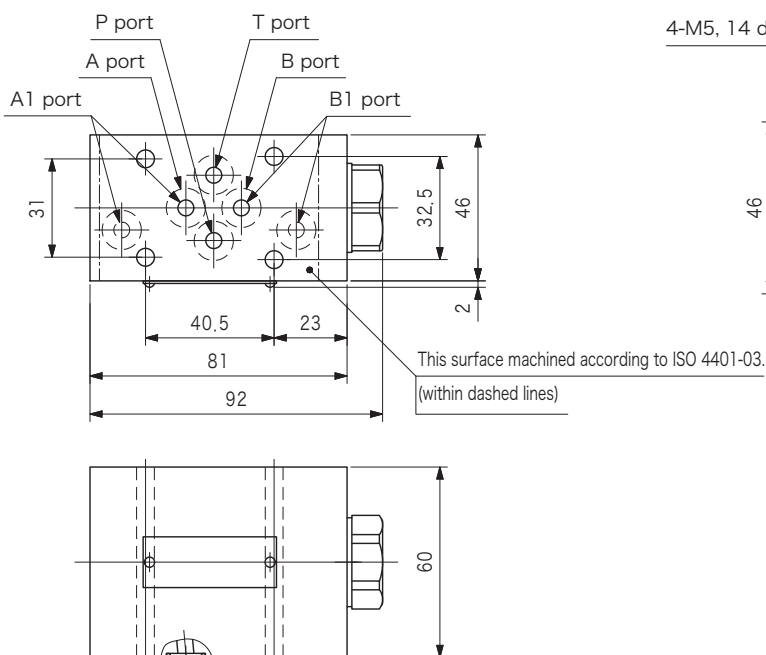
CVSH-01



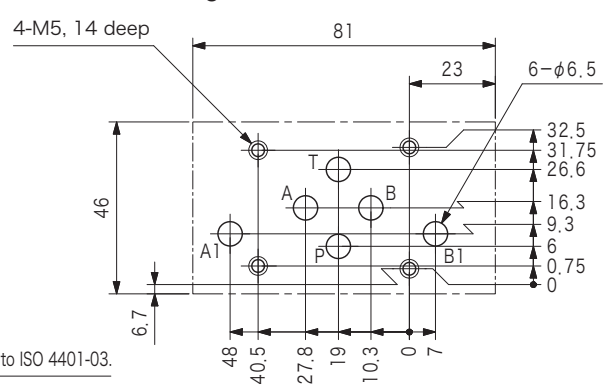
●Mounting dimensions



CVSH-MD

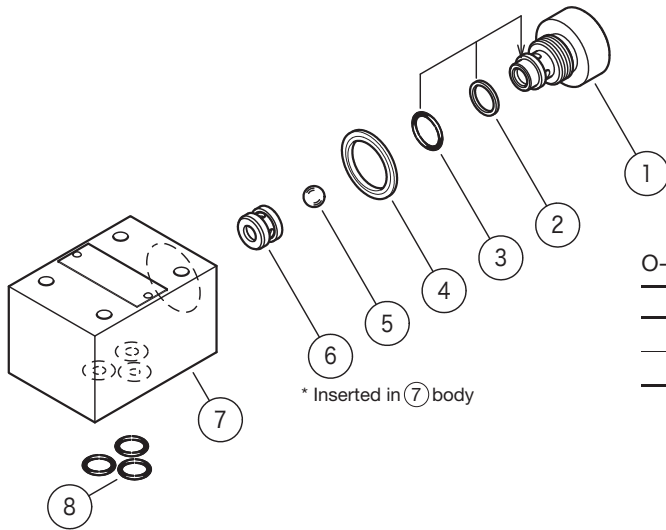


●Mounting dimensions



Construction

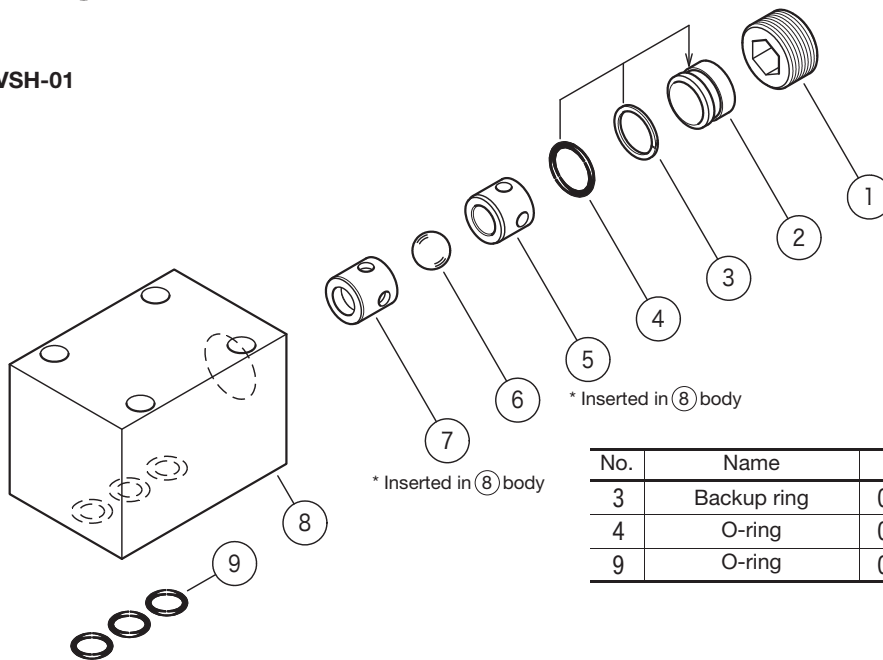
CVSH-3



O-ring

No.	Part No.	Standard	Qty
3	007901319	AS568-013 (NBR, Hs90)	1
8	007901219	AS568-012 (NBR, Hs90)	3

CVSH-01



No.	Name	Part No.	Standard	Qty
3	Backup ring	008101702	JIS B 2407 T2-P18	1
4	O-ring	008001717	JIS B 2401 1A-P18	1
9	O-ring	007901417	AS568-014 (NBR, Hs70)	3