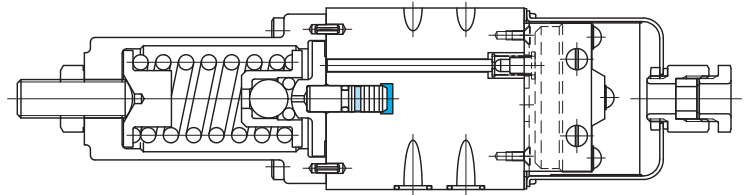
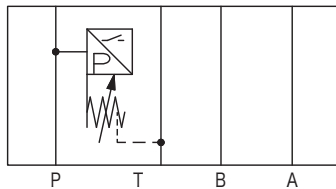


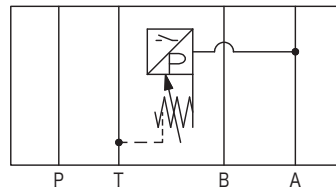
Pressure switch valves DGMP5-3



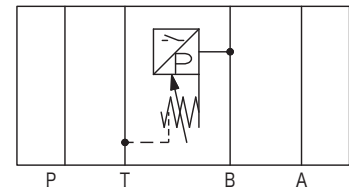
Functional Symbols



DGMP5-3-P



DGMP5-3-A



DGMP5-3-B

Model Code

(F3)-DGMP5-3-P-1-11

1 2 3 4 5 6

- 1 Hydraulic fluid
Omit: mineral oil based fluid, water-glycol based fluid
F3: phosphate ester
- 2 Pressure switches
- 3 Mounting dimensions
3: ISO 4401-03

- 4 Pressure sensing line
P: P line
A: A line
B: B line
- 5 Sensing pressure adjustment range
Refer to "Specifications".
- 6 Design no.

Specifications

• Valve

Model Code	Max. Working Pressure MPa	Sensing Pressure Adjustment Range MPa		Weight kg
		Code		
DGMP5-3	25	1	0.7~7	2.2
		2	5~14	
		3	10~25	

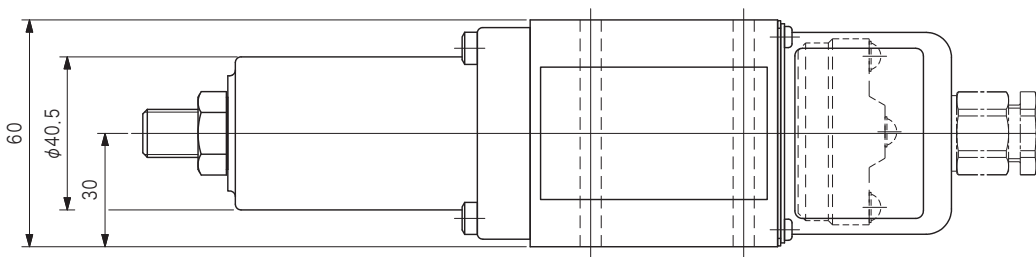
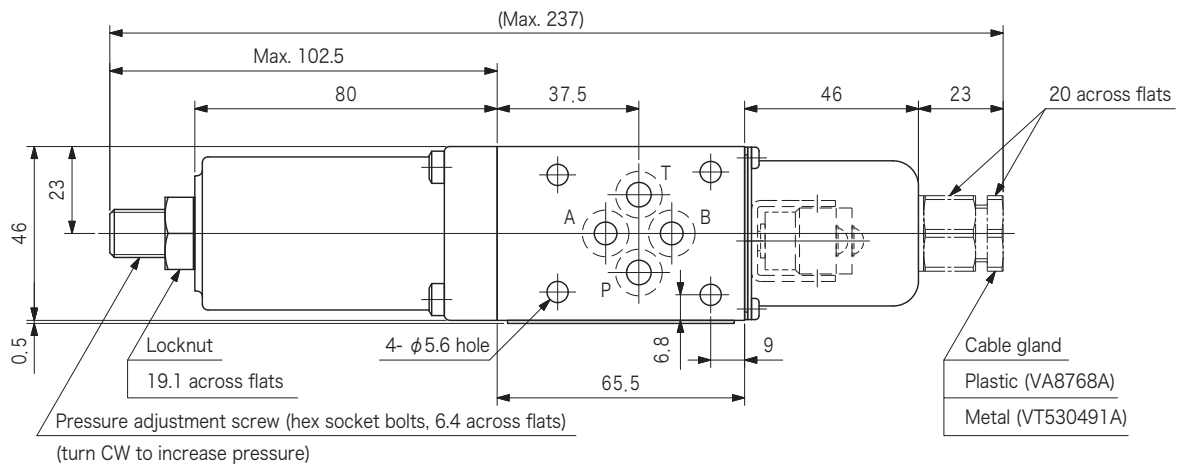
• Micro-Switch Rating

Power Supply	AC		DC	
	Voltage	125, 250, 480	125	250
Current	15	0.5	0.25	

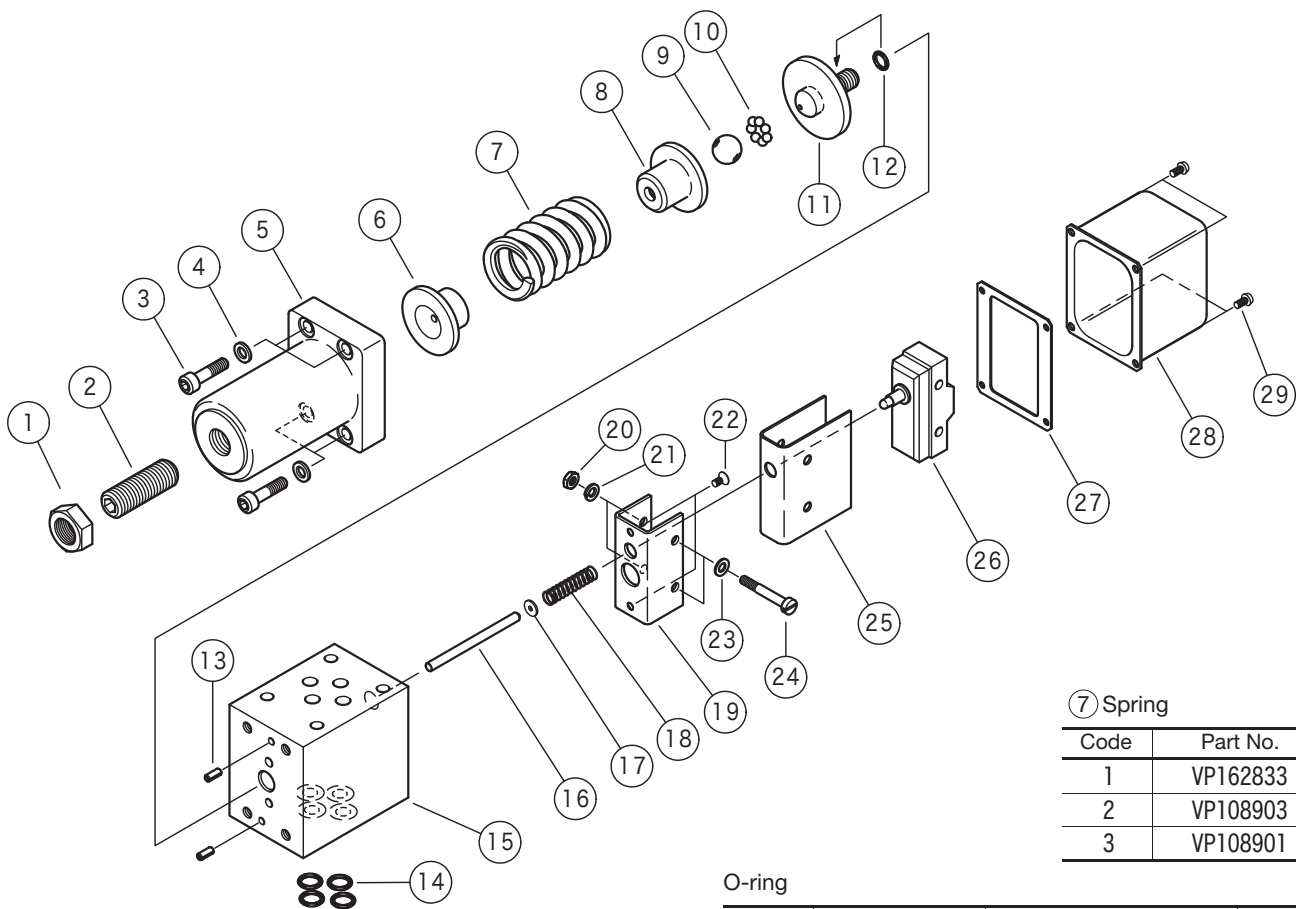
• Pressure and Micro-Switch Contact Point Relationship

Circuit pressure less than setting pressure	COM ●	● NO	○ NC
Circuit pressure greater than setting pressure	COM ●	○ NO	● NC

Dimensions



Construction



O-ring

No.	Part No.	Standard	Qty
12	007900917	AS568-009 (NBR, Hs70)	1
14	007901219	AS568-012 (NBR, Hs90)	4