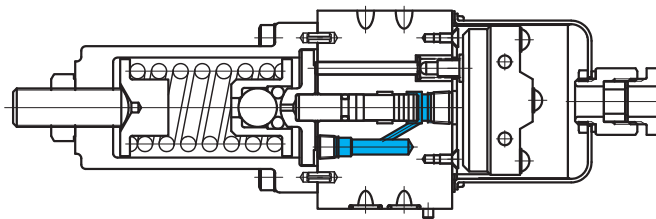
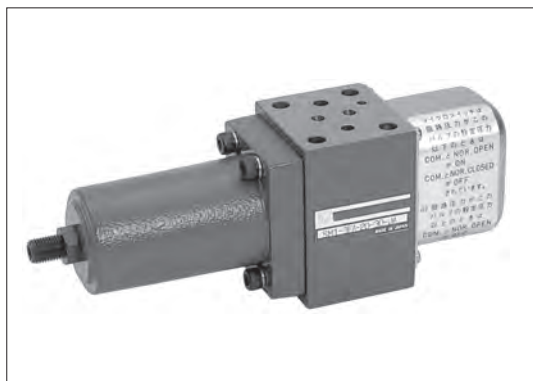
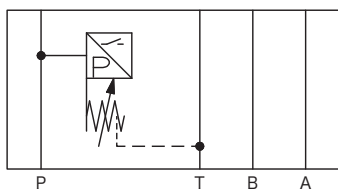


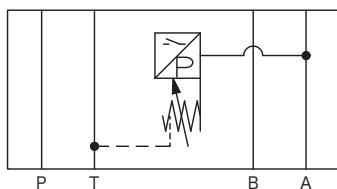
Flui-trol pressure switch valves SM1



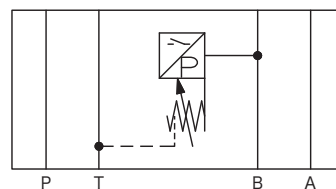
Functional Symbols



SM1-3FP



SM1-3FA



SM1-3FB

Model Code

(F3)-SM1-3FP-10-31-JA

1 2 3 4 5

1 Hydraulic fluid

Omit: mineral oil based fluid, water-glycol based fluid
F3: phosphate ester

2 Pressure switches

3 Pressure sensing line

P: P line
A: A line
B: B line

4 Sensing pressure adjustment range

10: 0.7~7 MPa
20: 0.7~14 MPa

5 Design no.

Specifications

● Valve

Model Code	Sensing Pressure Adjustment Range MPa	Max. Working Pressure MPa	Weight kg
SM1-3F*-10	0.7~7	14	1.9
SM1-3F*-20	0.7~14		

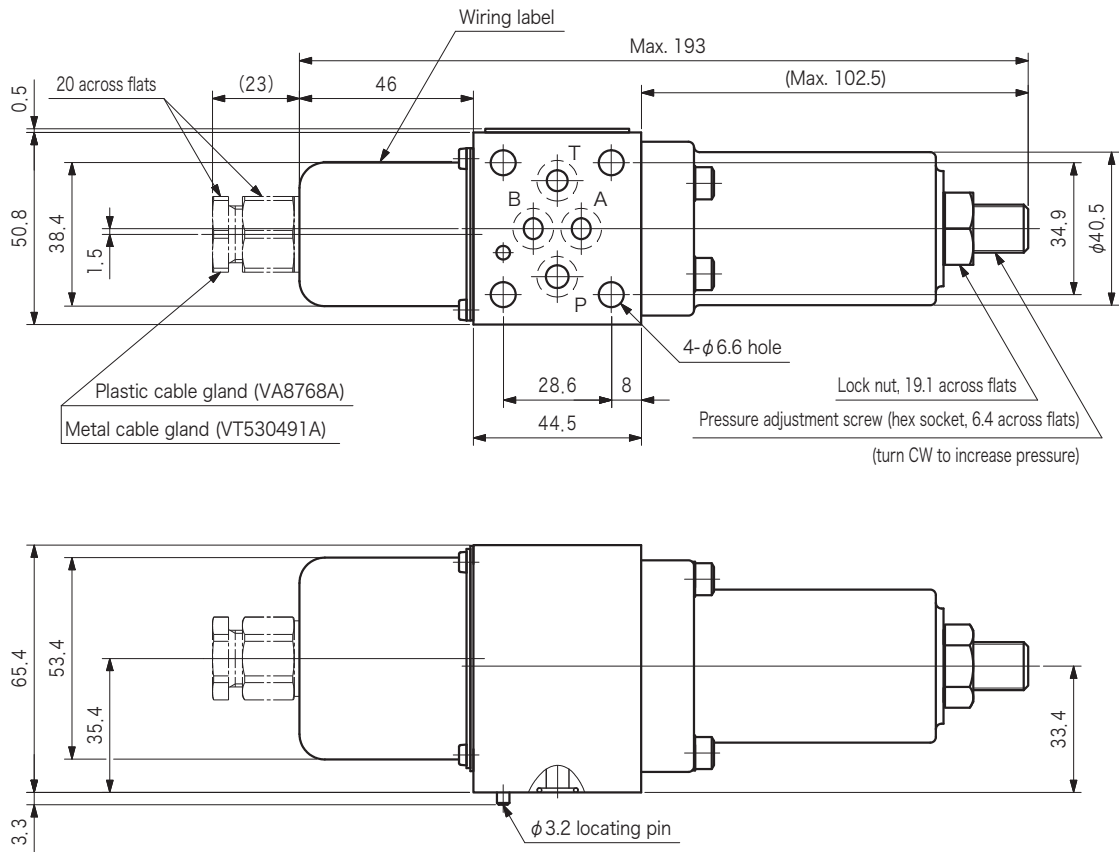
● Micro-Switch Rating (Load Resistance)

AC250 V: 15 A
DC125 V: 0.5 A

● Pressure and Micro-Switch Contact Point Relationship

Circuit pressure less than setting pressure	COM ● — NO ○ NC
Circuit pressure greater than setting pressure	COM ● — NC ○ NO

Dimensions



Construction

