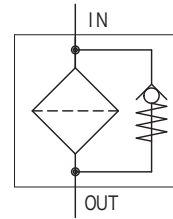


# Return line filters OFR



## Functional Symbol



- The OFR is used in the return line of hydraulic systems. A bypass valve is incorporated in the OFR which is actuated to bypass flow when the pressure drop increases.

## Model Code

OFR-08F-10

1

2

3

4

1 Return line filter

2 Size

Refer to "Specifications"

3 Connection

F: Flange connection

4 Filtration level

10: 10  $\mu\text{m}$

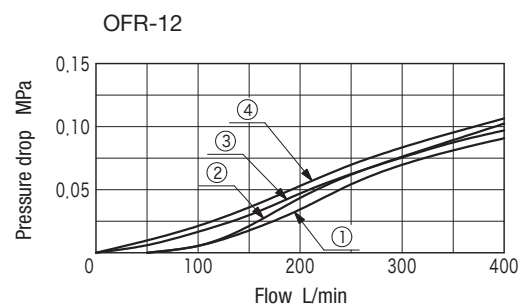
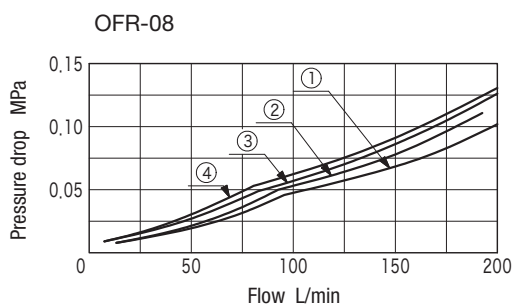
25: 25  $\mu\text{m}$

## Specifications

Model Code	Size	Max. Working Pressure MPa	Rated Flow L/min	Bypass Valve Cracking Pressure MPa	Weight kg
OFR-08	1	1.5	80	0.06 *	2.7
OFR-12	1-1/2		200		6

\* Values at rated flow

## Characteristics Curves



Characteristics curve code

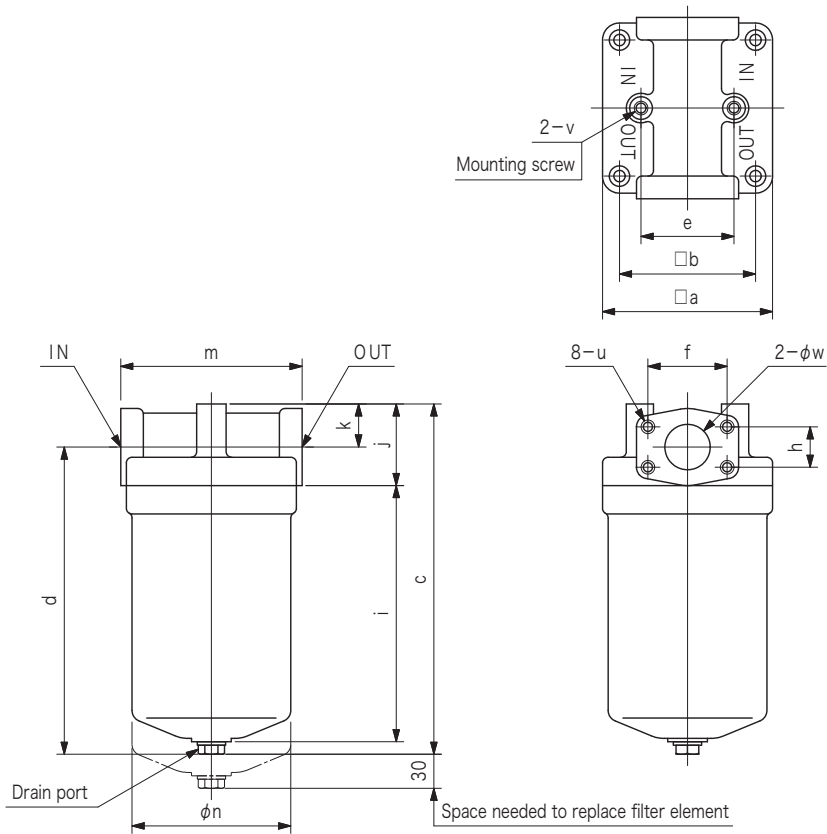
- (1) Viscosity 22  $\text{mm}^2/\text{s}$ , filtration level 25  $\mu\text{m}$
- (2) Viscosity 22  $\text{mm}^2/\text{s}$ , filtration level 10  $\mu\text{m}$
- (3) Viscosity 68  $\text{mm}^2/\text{s}$ , filtration level 25  $\mu\text{m}$
- (4) Viscosity 68  $\text{mm}^2/\text{s}$ , filtration level 10  $\mu\text{m}$

## Notes on Operation

- Confirm IN, OUT connections when piping. Pipe directly to tank to avoid back pressure at the OUT port.
- When filter cartridge is replaced, mount drain port toward bottom as contaminated oil may be discharged.

- Filter cannot be used with water glycol fluid.

## Dimensions



Dimensions table

Model Code	w	a	b	c	d	e	f	h	i	j	k	m	n	u	v
OFR-08	28	120	95	229	197	60	52.4	26.2	156	64	32	128	106	M10, 20 deep	M10, 20 deep
OFR-12	40	150	120	309	271	82	69.9	35.7	226	72	38	160	140	M12×1.25, 24 deep	M12×1.25, 24 deep

## Piping Flanges

Filter Model	Flange Model	
	Threaded	Welded
OFR-08	FL1-8-08P-10-JA-S4-J	FL1-8-08W-10-JA
OFR-12	FL1-12-12P-10-JA-S4-J	FL1-12-12W-10-JA

- Flange mounting bolts (M10 for OFR-08, M12 × 1.25 for OFR-12) are supplied separately.
- Flanges are not included with filter unit.