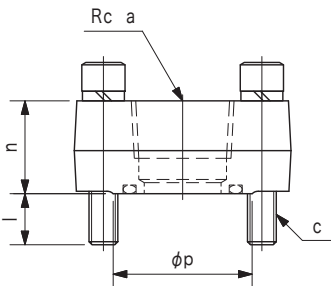
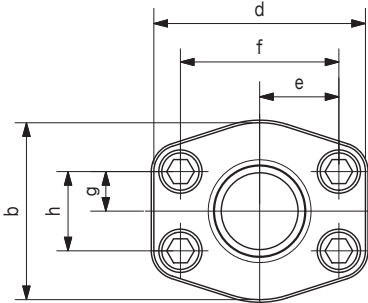


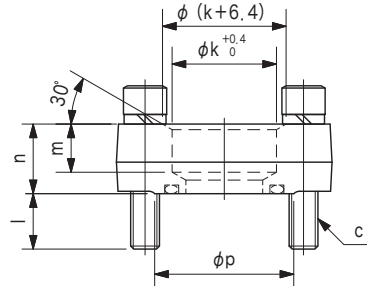
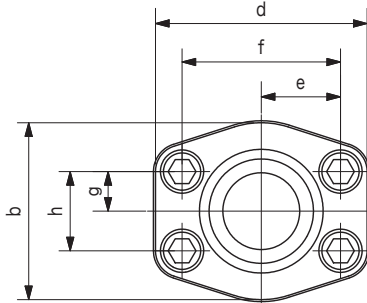
Flanges FL1, FL

SAE J 518c (Standard Pressure), 4 Bolt Flange, FL1

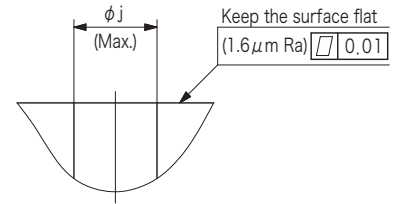
● Threaded



● Welded



● Mating Hole



Note:

- Used for SAE 4 bolt flange connection ports.
- O-rings, bolts, spring washers included.
- Max. working pressure, 21 MPa (however * marked flanges are 3.5 MPa)

Dimensions (unified thread)

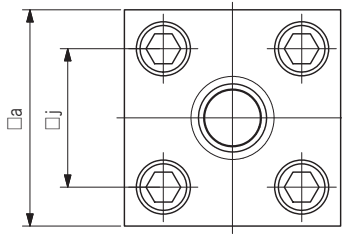
| Model Code | | Size | a | b | c | d | e | f | g | h | j | k | l | m | n | p | O-ring size AS568- | | | |
|---------------------------|------------------|-------|------------------|-------|-------------|------------|------|-------|-------|------|-------|-------|------|------|------|------|--------------------|-------|------------|------------|
| Threaded | Welded | | | | | | | | | | | | | | | | | | | |
| FL1-6-06P-10-JA-S4-J | FL1-6-06W-10-JA | 3/4 | 3/4 | 52.5 | 3/8-16 UNC | 65 | 23.8 | 47.6 | 11.1 | 22.2 | 19.1 | 27.7 | 13.5 | 15.8 | 14.3 | 19.1 | 39.7 | 214 | | |
| FL1-8-08P-10-JA-S4-J | | | 1 | | | | | | | | | | | | | | | | 58.5 | 3/8-16 UNC |
| FL1-10-10P-10-JA-S4-J | FL1-10-10W-10-JA | 1-1/4 | 1-1/4 | 73 | 7/16-14 UNC | 79 | 29.4 | 58.7 | 15.1 | 30.2 | 31.8 | 43.2 | 18 | 17.5 | 28.6 | 52.4 | 222 | | | |
| FL1-12-12P-10-JA-S4-J | | | 1-1/2 | | | | | | | | | | | | | | | 82.5 | 1/2-13 UNC | 93.5 |
| FL1-16-16P-10-JA-S4-J | FL1-16-16W-10-JA | 2 | 2 | 96.5 | 1/2-13 UNC | 101.5 | 38.9 | 77.8 | 21.5 | 42.9 | 50.8 | 61.1 | 22.3 | 22.2 | 36.8 | 73 | 228 | | | |
| FL1-20-20P-10-JA-S4-J | | | FL1-20-20W-10-JA | | | | | | | | | | | | | | | 2-1/2 | 2-1/2 | 108.5 |
| FL1-24-24P-10-JA-S4-J | FL1-24-24W-10-JA | 3 | | 3 | 131 | 5/8-11 UNC | 135 | 53.2 | 106.4 | 31 | 61.9 | 76.2 | 90 | 24.2 | 31.8 | 54 | 103.2 | | 237 | |
| *FL1-24-24P-LP-10-JA-S4-J | | | 3 | 90 | | | | | | | | | | | | | | 16.5 | | 49 |
| *FL1-24-24W-LP-10-JA | | | | | | | | | | | | | | | | | | | | |
| *FL1-28-28W-10-JA | | 3-1/2 | | 140 | 5/8-11 UNC | 152.5 | 60.4 | 120.7 | 35 | 69.9 | 88.9 | 103 | 28.9 | 30.2 | 36.6 | 115 | 241 | | | |
| *FL1-32-32W-10-JA | | 4 | | 152.5 | 5/8-11 UNC | 162 | 65 | 130 | 38.9 | 77.7 | 101.6 | 115.5 | 27.4 | 31.8 | 38.1 | 128 | 245 | | | |

Dimensions (metric thread)

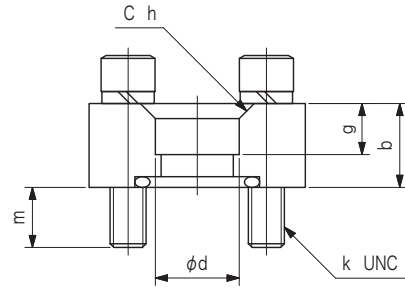
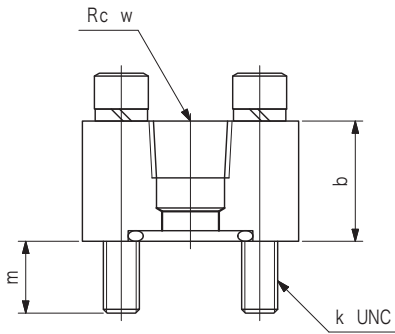
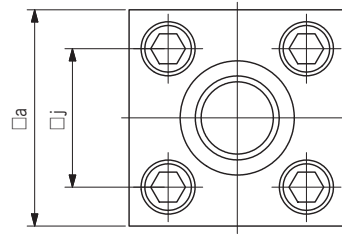
| Model Code | | Size | a | b | c | d | e | f | g | h | j | k | l | m | n | p | O-ring size AS568- | |
|-----------------------|--------------------|-------|--------------------|------|-----|-------|------|------|------|------|------|------|------|------|------|------|--------------------|-------|
| Threaded | Welded | | | | | | | | | | | | | | | | | |
| FL1-6-06P-10-JA-S4-M | FL1-6-06W-10-JA-M | 3/4 | 3/4 | 52.5 | M10 | 65 | 23.8 | 47.6 | 11.1 | 22.2 | 19.1 | 27.7 | 14 | 12.7 | 14.3 | 19.1 | 39.7 | 214 |
| FL1-8-08P-10-JA-S4-M | | | 1 | | | | | | | | | | | | | | | |
| FL1-10-10P-10-JA-S4-M | FL1-10-10W-10-JA-M | 1-1/4 | 1-1/4 | 73 | M10 | 79 | 29.4 | 58.7 | 15.1 | 30.2 | 31.8 | 43.2 | 15.8 | 17.5 | 28.6 | 52.4 | 222 | |
| FL1-12-12P-10-JA-S4-M | | | 1-1/2 | | | | | | | | | | | | | | | 82.5 |
| FL1-16-16P-10-JA-S4-M | FL1-16-16W-10-JA-M | 2 | 2 | 96.5 | M12 | 101.5 | 38.9 | 77.8 | 21.5 | 42.9 | 50.8 | 61.1 | 20 | 40.6 | 73 | 228 | | |
| FL1-20-20P-10-JA-S4-M | | | FL1-20-20W-10-JA-M | | | | | | | | | | | | | | 2-1/2 | 2-1/2 |
| | | | | | | | | | | | | | | | | | | |

4 Bolt Flanges, FL

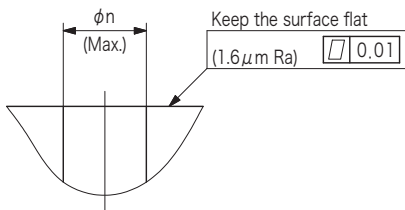
● Threaded, PS Type (straight)



● Welded, TS Type (straight)



● Mating Hole



Dimensions table

| Model Code | | Size | w | a | b | d | g | h | j | k | m | n | O-ring size AS568- |
|------------------|--------------------|-------|-------|-------|------|------|------|---|------|--------|------|------|--------------------|
| Threaded | Welded | | | | | | | | | | | | |
| FL-04-PS-20-JA-J | FL-04-TS-20-JA-S18 | 1/2 | 1/2 | 57.2 | 31.8 | 22.2 | 13.5 | 4 | 36.6 | 3/8-16 | 15.8 | 20.6 | 215 |
| | | 3/4 | 3/4 | | 31.8 | | | | | | 12.7 | | |
| | | | | | 22.2 | 27.7 | 13.5 | 4 | | | 12.7 | | |
| FL-08-PS-20-JA-J | FL-08-TS-20-JA-S18 | 1 | 1 | 76.2 | 38.1 | 34.5 | 15.9 | 4 | 50.8 | 1/2-13 | 14.7 | 31.8 | 222 |
| | | 1-1/4 | 1-1/4 | | 25.4 | | | | | | 21 | | |
| | | | | | 38.1 | | | | | | 14.7 | | |
| | | | | | 25.4 | 43.2 | 15.9 | 4 | | | 21 | | |
| FL-12-PS-20-JA-J | FL-12-TS-20-JA-S18 | 1-1/2 | 1-1/2 | 101.6 | 44.5 | 49.2 | 22.2 | 6 | 69.8 | 5/8-11 | 21 | 50.8 | 228 |
| | | 2 | 2 | | 31.3 | | | | | | 21.5 | | |
| | | | | | 44.5 | | | | | | 21 | | |
| | | | | | 31.3 | 61.1 | 22.2 | 6 | | | 21.5 | | |
| FL-20-PS-20-JA-J | FL-20-TS-20-JA-S18 | 2-1/2 | 2-1/2 | 139.6 | 57.1 | 77.1 | 27 | 6 | 95.2 | 7/8-9 | 33.4 | 73.0 | 236 |
| | | 3 | 3 | | 38.1 | | | | | | 21 | | |
| | | | | | 57.1 | | | | | | 33.4 | | |
| | | | | | 38.1 | 90 | 27 | 6 | | | | | |

Note:

- Max. working pressure, 21 MPa
- O-rings, bolts, spring washers included.